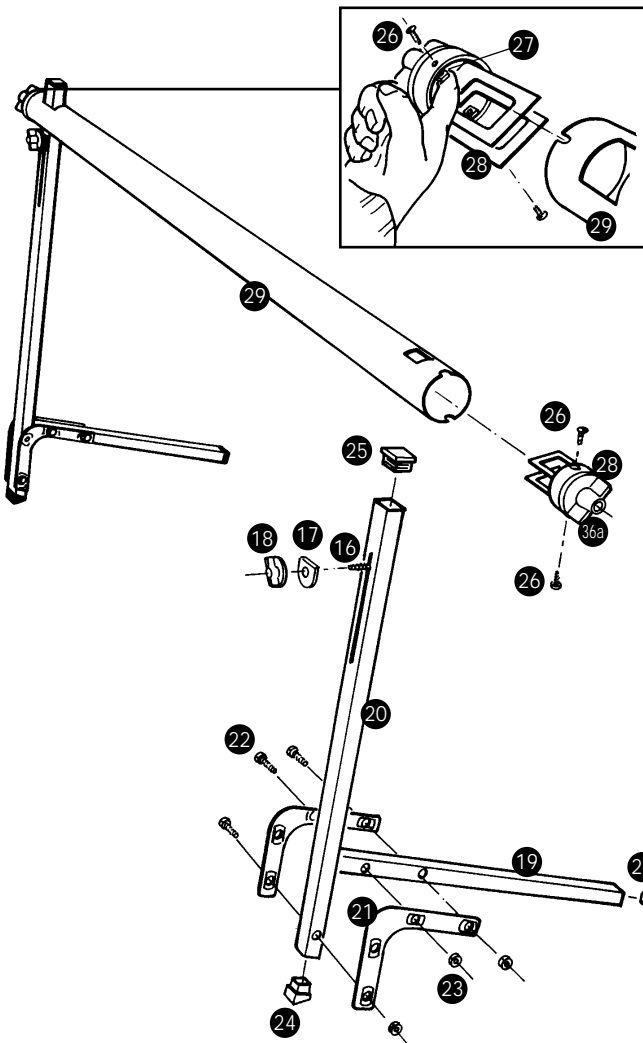
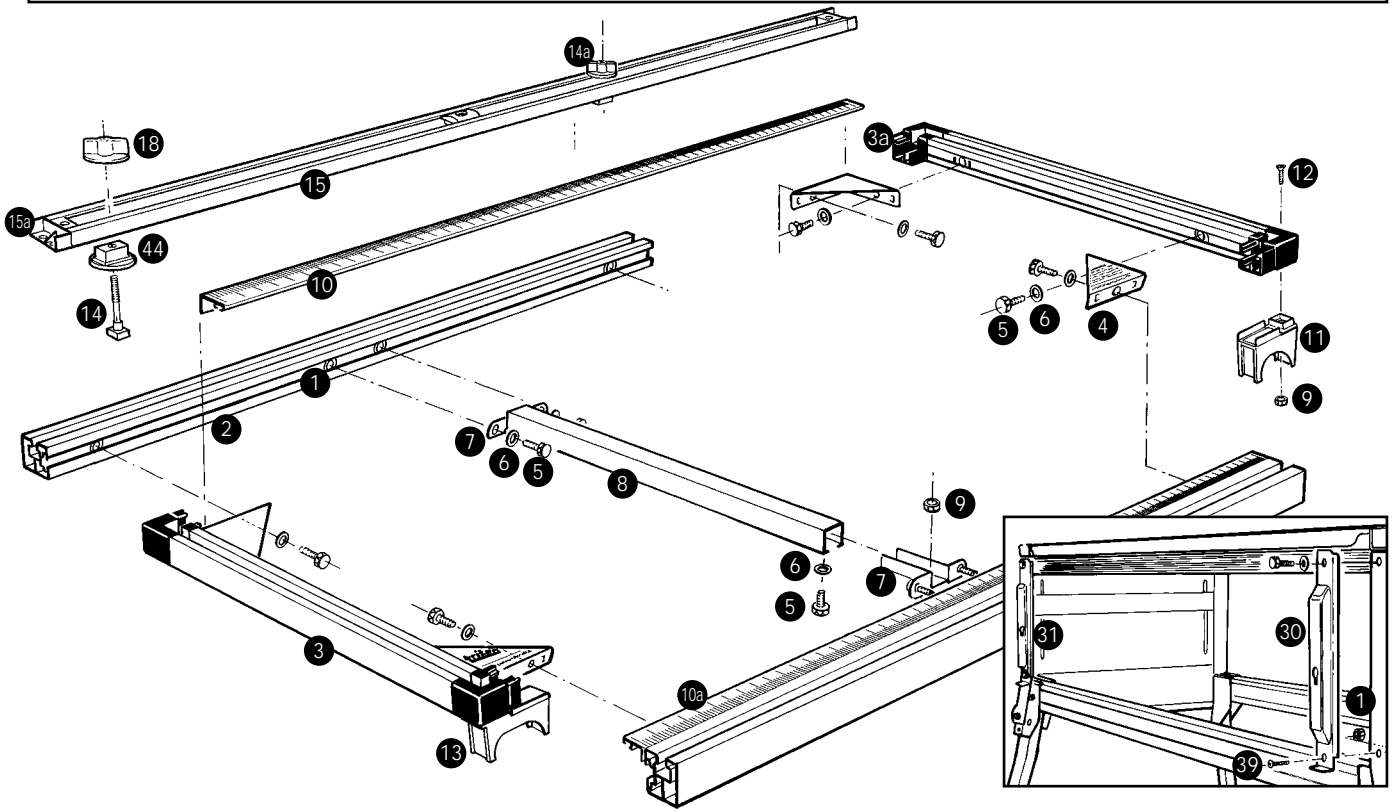
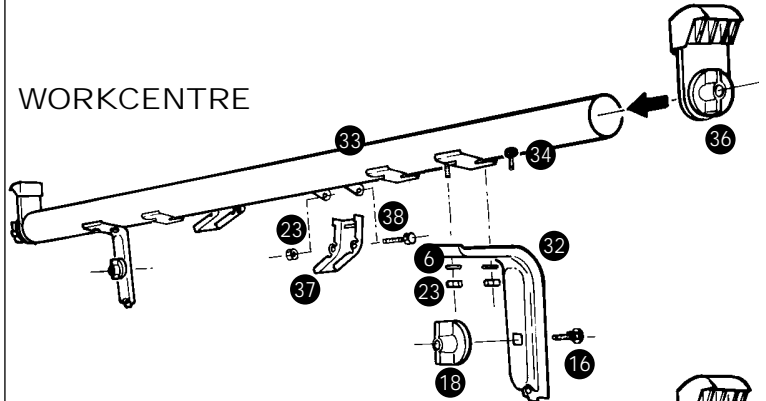


# Mini Sliding Extension Table - ETA100

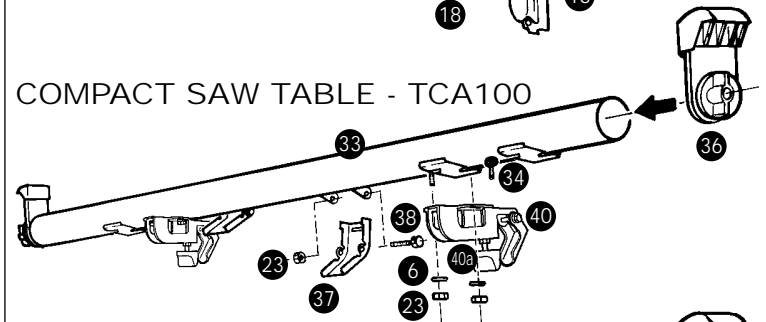
Suits MK3 & Series 2000 Workcentres, Compact Saw Tables & Router Stand RSA300.



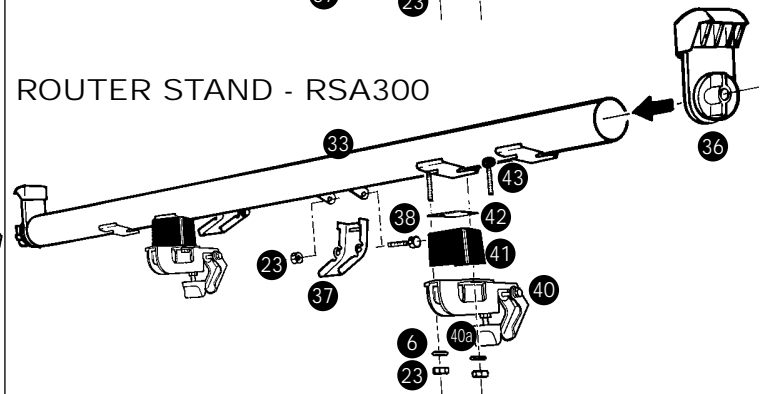
WORKCENTRE



COMPACT SAW TABLE - TCA100



ROUTER STAND - RSA300



# Mini Sliding Extension Table - ETA100

Suits MK3 & Series 2000 Workcentres, Compact Saw Tables & Router Stand RSA300.

Diag. Ref.	Part No.	Description	Qty Supplied as Spare Part	Comments
-	PUA505	Packing Carton	1	
-	PUA512	Assembly Instructions	1	
2	ETA122	Long Extrusion	1	
3	ETA115	Short Extrusion	1	No fittings
3a	ETA208	Corner Block	1	
4	ETA263	Corner Bracket - Plain	1	
	ETA126	Corner Bracket - printed (Left)	1	
	ETA127	Corner Bracket - printed (Right)	1	
7	ETA218	Brace Bracket	1	
8	ETA113	Brace	1	
10	ETA117	Scale (rear) - Metric measurements	1	
10a	ETA116	Scale (front) - Metric measurements	1	
10	ETC117	Scale (rear) - Imperial measurements	1	
10a	ETC116	Scale (front) - Imperial measurements	1	
11	ETA209	Inner Bearing (smaller)	1	
13	ETA210	Outer Bearing (larger)	1	
14a	ETA129	Fence Clamp Assembly	1	Includes 14, 18 & 44
15	ETA128	Fence Assembly	1	Excludes fence clamp assembly
15a	ETA211	Fence End Cap	1	
17	ETA239	Height Stop (keeper)	1	
18	CMA040	Round Knob with M6 Hex Nut	1	
19	ETA262	Foot	1	
20	ETA260	Leg	1	
21	ETA238	Leg Plate	1	
24	RSA057	Angled Tube Closer	1	
25	CPA013	Flat Tube Closer	1	
28	ETA272	Leg Clamp Assembly	1	Includes knob
29	ETA111	Outer Track	1	50.8mm (O.D.)
30	ETA226	End Panel Bracket - Front	1	
31	ETA227	End Panel Bracket - Rear	1	
32	ETA229	Support Bracket	1	
33	ETA109	Inner Track	1	50.8mm (O.D.)
36	ETA273	Skid Assembly	1	Includes knob
36a	CMA041	Large Round Knob with 8mm nut	1	
37	ETA232	Locking Latch	1	
40	ETA124	TCA / RSA Mounting Bracket Assembly	1	
40a	ETA108	Clamp Knob	1	
41	ETA107	Spacer Block	1	
42	ETA125	Shim	1	
	ETA120	Fastener Bag 1 (Table components)	1	
	ETA267	Fastener Bag 2 (Outer Track components)	1	
	ETA266	Fastener Bag 3 (Inner Track components)	1	Packed inside Fastener Bag 2
	ETA121	Fastener Bag 4 (TCA/RSA components)	1	

## FASTENERS NOT SUPPLIED SEPARATELY

1	Flange Nut M6
5	Hex Bolt M6 x 10 (high tensile)
6	Washer M6
9	Hex Nut M6
12	Countersunk Screw M6 x 16
14	Fence bolt with square plastic foot
16	Coach Bolt M6 x 20
22	Hex Bolt M6 x 40
23	Nyloc Nut M6
26	Philips-Head Screw M4 x 10
27	Square Nut M4
34	Coach Bolt M6 x 12
38	Hex Bolt M6 x 45
39	Philips-Head Screw M6 x 10
43	Hex Bolt M6 x 50
44	Fence Slider

## Specifications:

**Packed weight:** 17kgs

**Pack Size (mm):** 1400 x 195 x 85

**Volume (M):** .0232m<sup>3</sup>

**Table brace:** 25mm tube. Telecom Gold **Stand:** 30mm square galvanised tube **Track:** 50.8mm galvanised tube